

RGX Modular Casework Lab

B r o c h u r e



RGX

Modular Casework Lab

List Price (as shown)

Modular casework designed for flexibility in technical environments.

RGX Modular Casework provides a flexible alternative to traditional fixed lab casework. Its modular, bolt-together design allows layouts to be installed quickly and reconfigured over time, reducing disruption as needs evolve.

Support for plumbing, electrical integration, and a range of work surfaces enables RGX to meet the demands of research, healthcare, and technical environments. As workflows change, the system can adapt without requiring full replacement.

Specifications (as shown)

- White epoxy surface
- Gray pearlescent powder-coat frame

Width:

4 x 36"
1 x 24"

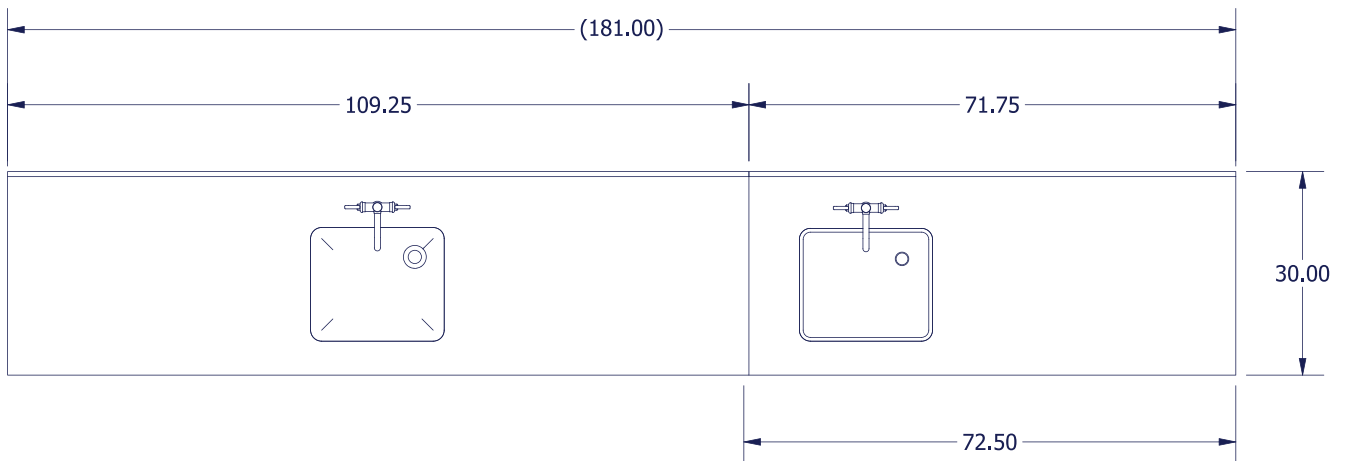
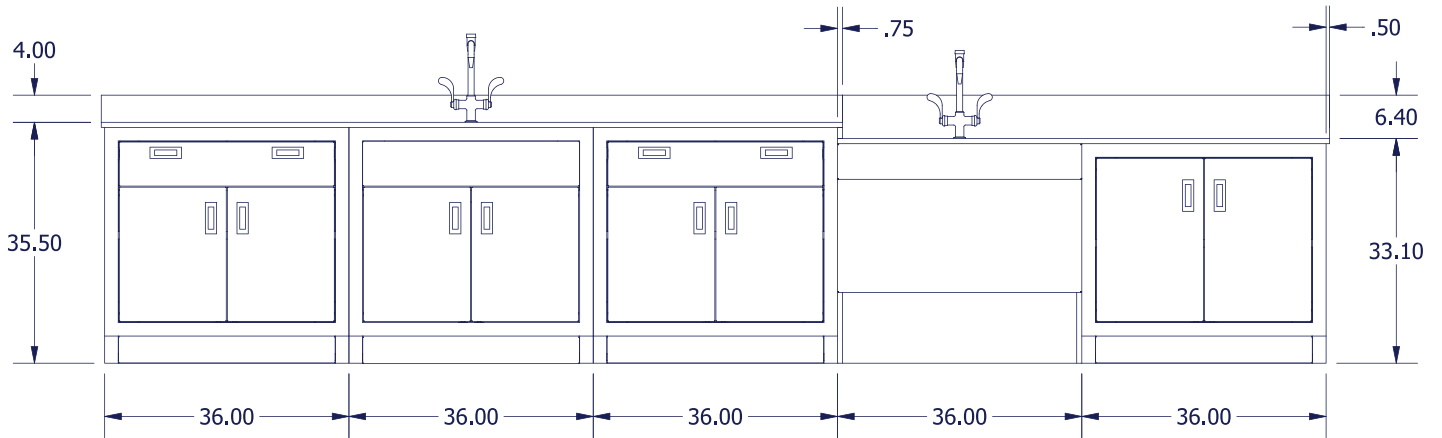
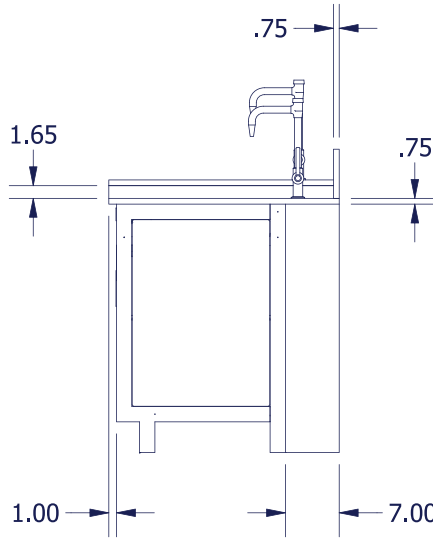
Depth:

30"

List Price: \$30,588.00



Drawings





Every project is different.

That's why we deliver at three levels — each with the same American-made quality, sourced and built in Austin, Texas.



STANDARD

Proven configurations from our catalog, ready to order and built to ship.

3 to 4 weeks



MODIFIED

Our standard platforms, adapted to your specific dimensions, finishes, or features.

4 to 5 weeks

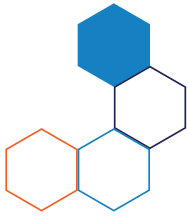


CUSTOM

Fully bespoke design and engineering for unique workflows and constraints.

6 to 12 weeks

*Subject to change based on supply. Confirm details with account manager.



Need it faster?

Ask about **Smart Ship™** — select standard workbenches in 5 business days.

- Austin, Texas
- 800.251.1505
- formaspace.com
- hello@formaspace.com



Lab. Industrial. Workplaces. It's in our DNA.

