

# Lab Island Custom

**B r o c h u r e**



NeoCon®

# Lab Island

## Custom



### List Price (as shown)

#### Central work surface designed for shared access and collaboration.

Built on the 5.0 modular platform, this custom lab island combines utilities, storage, and workspace into a single, efficient footprint. The centered sink supports shared access, while below surface storage maximizes capacity without consuming valuable wall space.

Designed for flexibility, the island allows full 360 degree access, supporting both standing and seated work positions. This makes it well suited for collaborative environments where multiple users interact with the same workspace.

Each island is tailored to project specific needs, from dimensions and storage configurations to utility integration, ensuring it fits seamlessly into the overall lab layout.

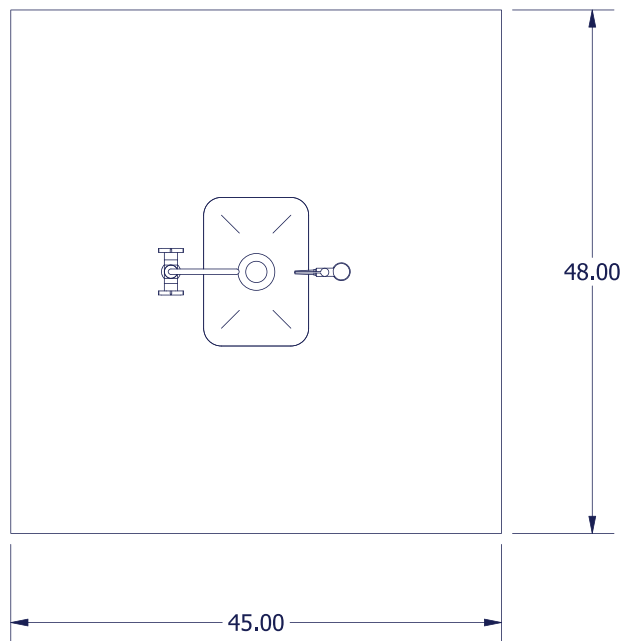
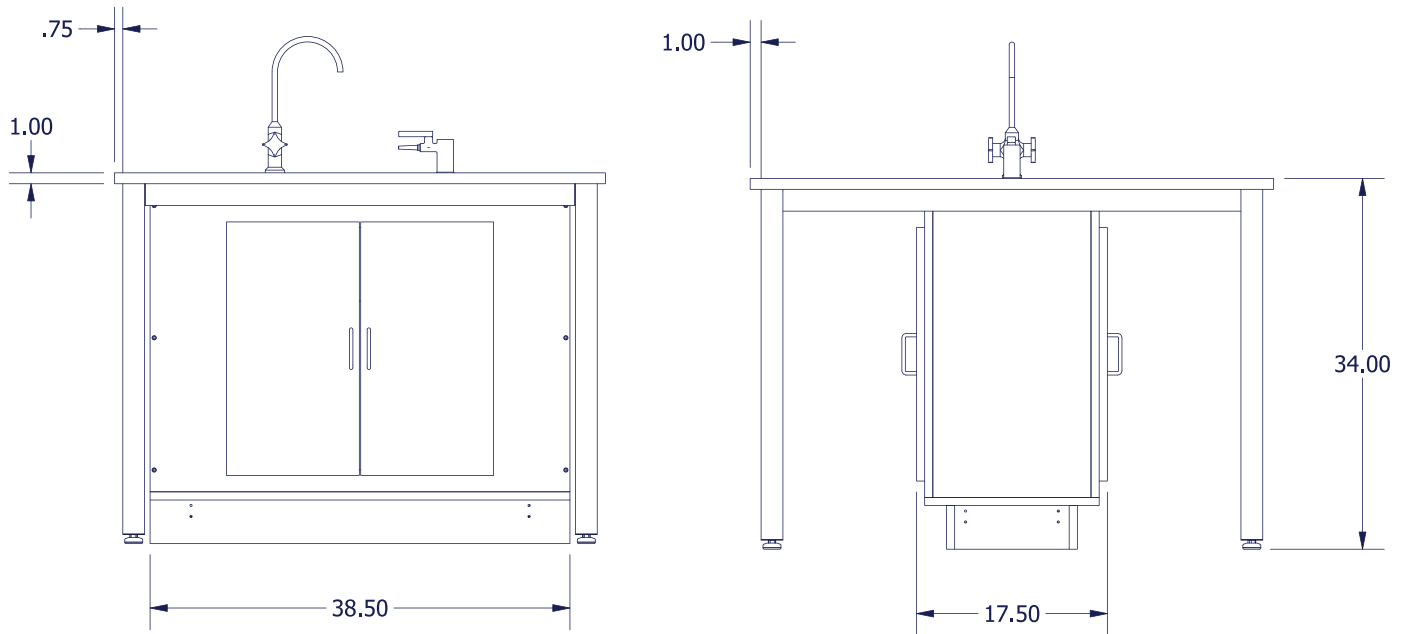
### Specifications (as shown)

- White phenolic surface
- Sapphire blue powder-coat frame

List Price: **\$19,859.00**



# Drawings





## Every project is different.

That's why we deliver at three levels — each with the same American-made quality, sourced and built in Austin, Texas.



### STANDARD

Proven configurations from our catalog, ready to order and built to ship.

**3 to 4 weeks**



### MODIFIED

Our standard platforms, adapted to your specific dimensions, finishes, or features.

**4 to 5 weeks**

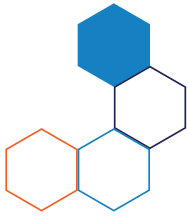


### CUSTOM

Fully bespoke design and engineering for unique workflows and constraints.

**6 to 12 weeks**

\*Subject to change based on supply. Confirm details with account manager.



### Need it faster?

Ask about **Smart Ship™** — select standard workbenches in 5 business days.

- Austin, Texas
- 800.251.1505
- [formaspace.com](https://formaspace.com)
- [hello@formaspace.com](mailto:hello@formaspace.com)



Lab. Industrial. Workplaces. It's in our DNA.

