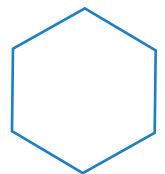




FLX

Assembly Instructions

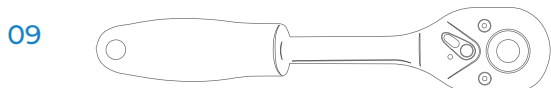
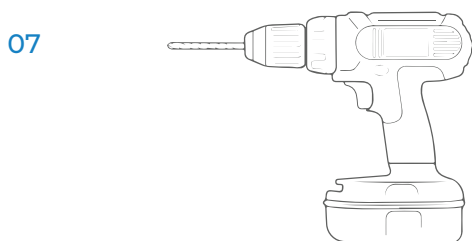
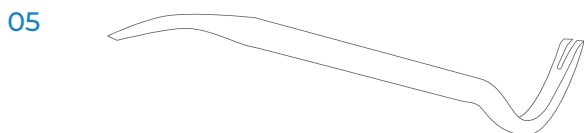
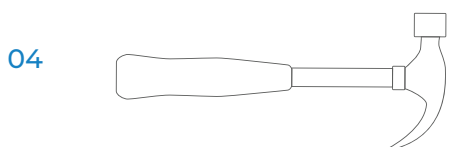
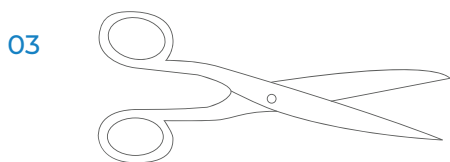
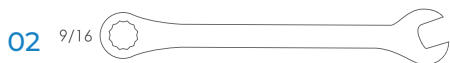


Contents

PAGE	#
02	1. Required Tools
03	2. Unpack
03	3. Exploded Diagram
04	4. Parts List
05	5. Rear Frame
06	6. Top Frame
06	7. Front Legs
07	8. Upright Assembly
07	9. Powerstrip Rails
07	10. Raceways, Single - Sided
08	11. Raceways, Double - Sided
08	12. Shelf Supports
09	13. Shelf Surfaces
09	14. Cabinets
11	15. Worksurfaces
11	16. Backsplash



Required Tools



Please completely inspect the contents of your order. Do not sign the bill of lading until you are satisfied that all components are present and undamaged.

Favor de inspeccionar totalmente los contenidos de su orden. que esté seguro de que todos los componentes están completos y sin daño alguno.

Use the hammer and/or crowbar to take the crate apart, taking care not to scratch the bench.

Use el martillo o una palanca para abrir la caja de embarque, teniendo cuidado de no dañar la banca.

Use the shears to cut the strapping tape and unpack the bench.

Use las Tijeras para cortar la cinta de empaque y saque la banca.

01 Shears
Las tijeras

02 9/16" Spanner
9/16" Llave

03 Shears
Las tijeras

04 Hammer
Martillo

05 Crowbar
Palanca

06 5/16" Hex key
5/16" Llave hexagonal

07 Cordless Drill
Taladro inalámbrico

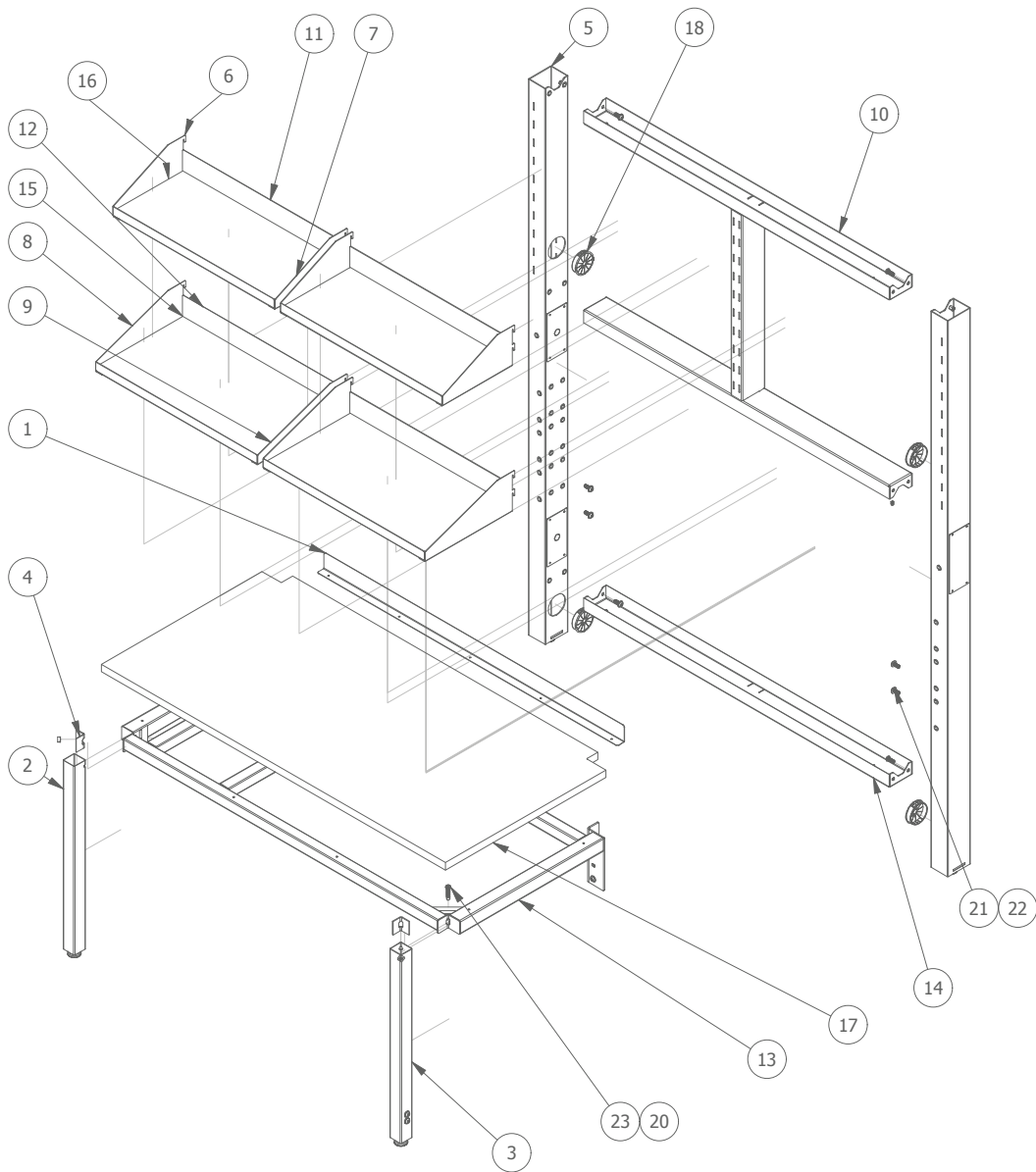
08 #2 Square Driver Bit
Punta de destornillador cuadrada n.º 2

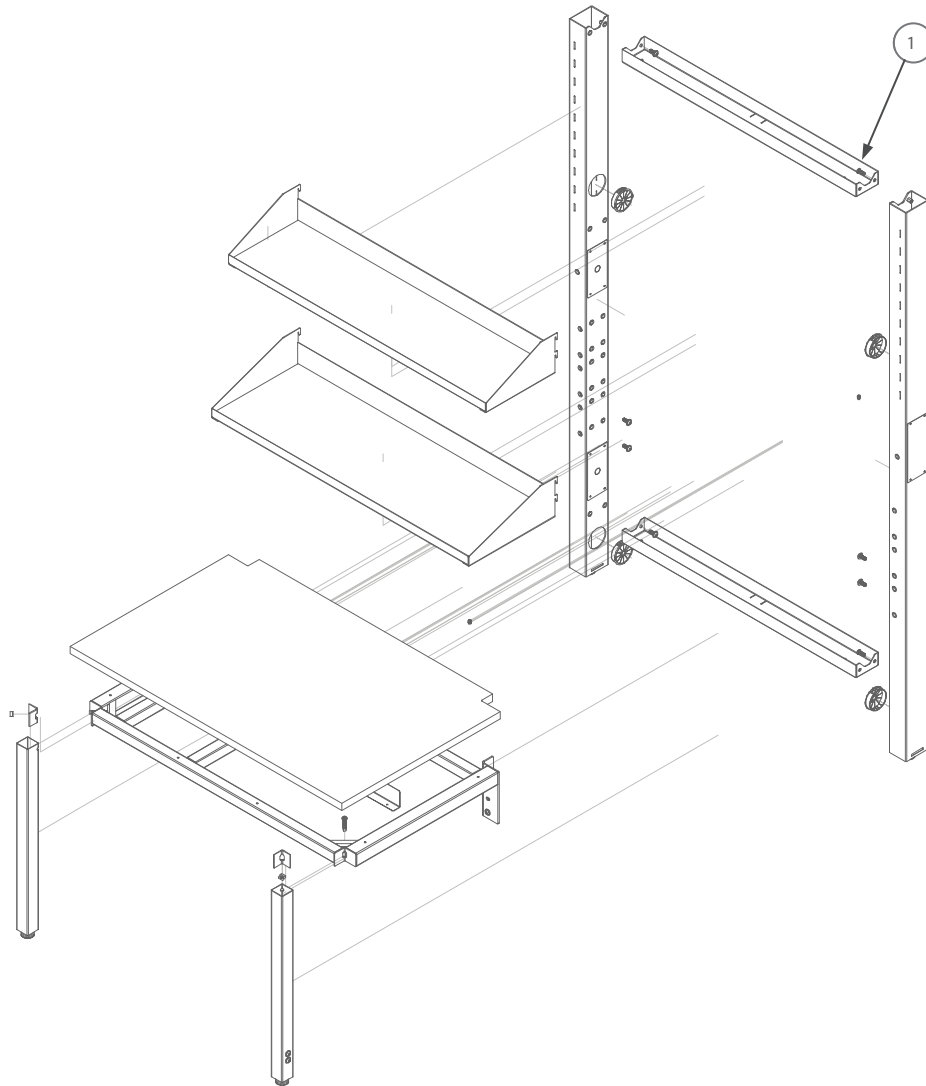
09 Socket Ratchet
Trinquete de vaso

2. Unpack

Carefully remove products from crates and distribute components to their intended locations.

3. Exploded Diagram





4. Parts List

Item	Qty (W>48)	Qty (W=48)	Description	Item	Qty (W>48)	Qty (W=48)	Description
1	1	1	FLX BACKSPLASH	13	1	1	FLX TOP FRAME
2	1	1	FLX FRONT-LEFT LEG ASSY	14	1	2	FLX TROUGH
3	1	1	FLX FRONT-RIGHT LEG ASSY	15	2	1	FLX UPPER SHELF SURFACE, 15D
4	2	2	FLX LEG BRACKET	16	2	1	FLX UPPERSHELF SURFACE, 12D
5	2	2	FLX REAR LEG ASSY	17	1	1	FLX WORKSURFACE
6	2	1	FLX SHELF BRACKET, 12D, LEFT	18	4	4	GROMMET, 3DIA, BLACK PLASTIC
7	2	1	FLX SHELF BRACKET, 12D, RIGHT	19	30	20	SELF-TAPPING SCREW
8	2	1	FLX SHELF BRACKET, 15D, LEFT	20	2	2	SQUARE NUT, 3/8 -16, GR5 STEEL, ZINC
9	2	1	FLX SHELF BRACKET, 15D, RIGHT	21	22	18	WASHER, .375DIA, BLACK OXIDE
10	1	0	FLX SHELF FRAME	22	20	16	CAP SCREW, 3/8 -16 x 1.0, STEEL, BLACK OXIDE
11	2	1	FLX SHLF TRAY, 12D	23	2	2	CAP SCREW, 3/8 -16 X 2.5, STEEL, BLACK OXIDE
12	2	1	FLX SHLF TRAY, 15D	24	2	2	LEVELER, 1/2 -13 X 1.5

Note: 48" wide FLX assemblies use full-width shelves and a trough ⑭ in place of the shelf frame ⑩.

5. Rear Frame

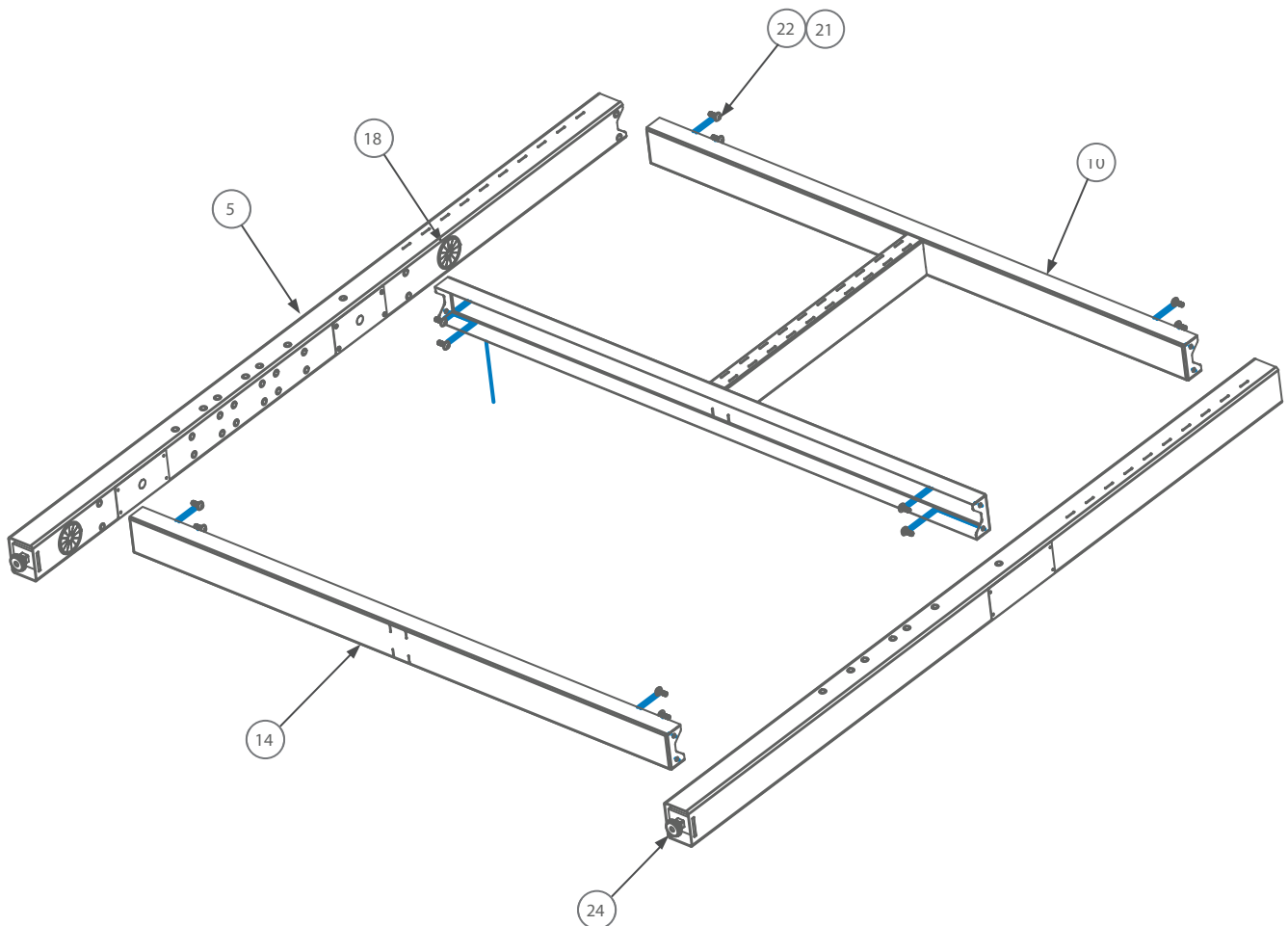
5.1. Layout rear legs (5), troughs (14), and shelf frame (10) (if applicable) on the ground.

5.2. Fasten shelf frames and troughs to legs using 12X 3/8-16 x 1.0 cap screws (22) and washers (21).

Note: Hand start threads on all screws to avoid cross-threading. Tighten with 5/16" Allen wrench or driver.

5.3. Install levelers (24) at bottoms of legs.

5.4. Insert frame grommets (18) into legs.



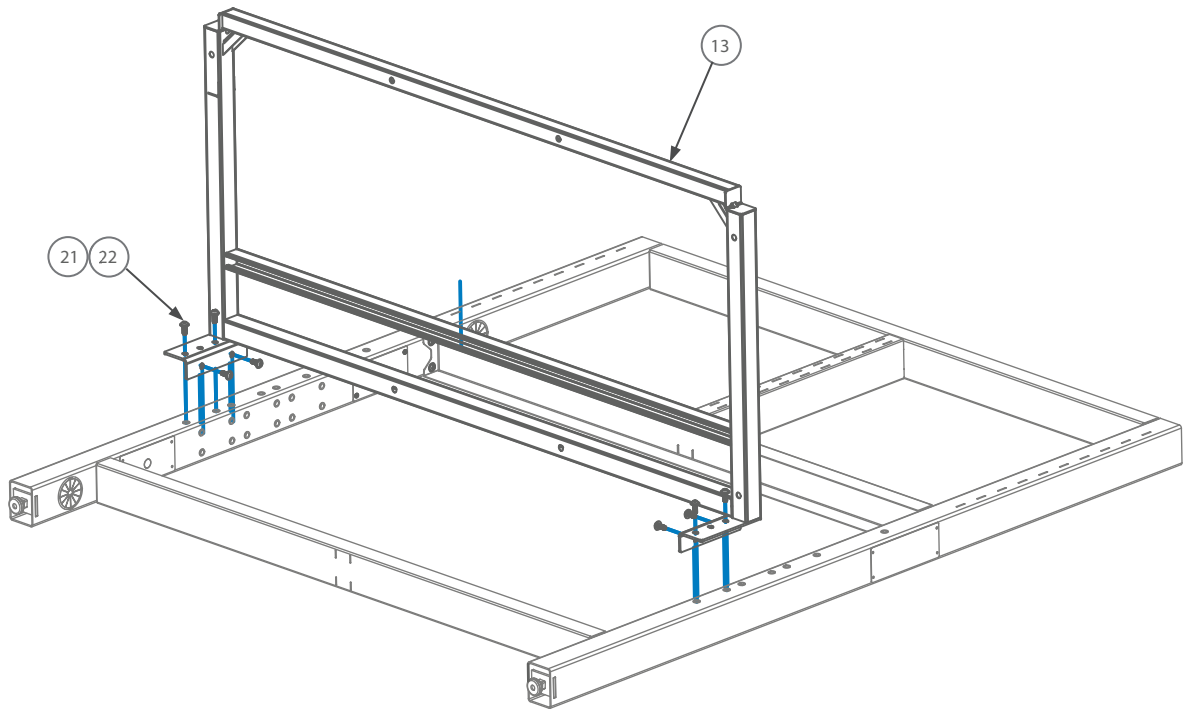
6. Top Frame

6.1. Insert top frame ⑬ into assembled rear frame.

6.2. Select correct hole pattern to achieve desired nominal worksurface height of 30", 36", or 42".

6.3. Fasten to legs using 8X 3/8-16 x 1.0 cap screws ⑳ and washers ㉑.

Note: Hand start threads on all screws to avoid cross-threading. Tighten with 5/16" Allen wrench or driver.

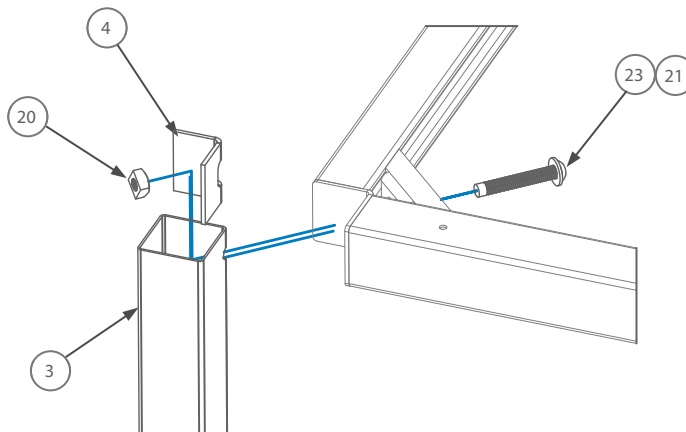


7. Front Legs

7.1. Fasten front legs ② & ③ to top frame using 2X 3/8-16 X 2.5 cap screws ㉓, washers ㉑, leg bracket ④, and square nut ㉒.

Note: Do not omit leg brackets. Square nut centers the bracket upon tightening. Tighten with 9/16" wrench.

7.2. If needed, relocate adjustable inner legs to match top frame installed height.



8. Upright Assembly

8.1. Adjust leveler feet to level unit.

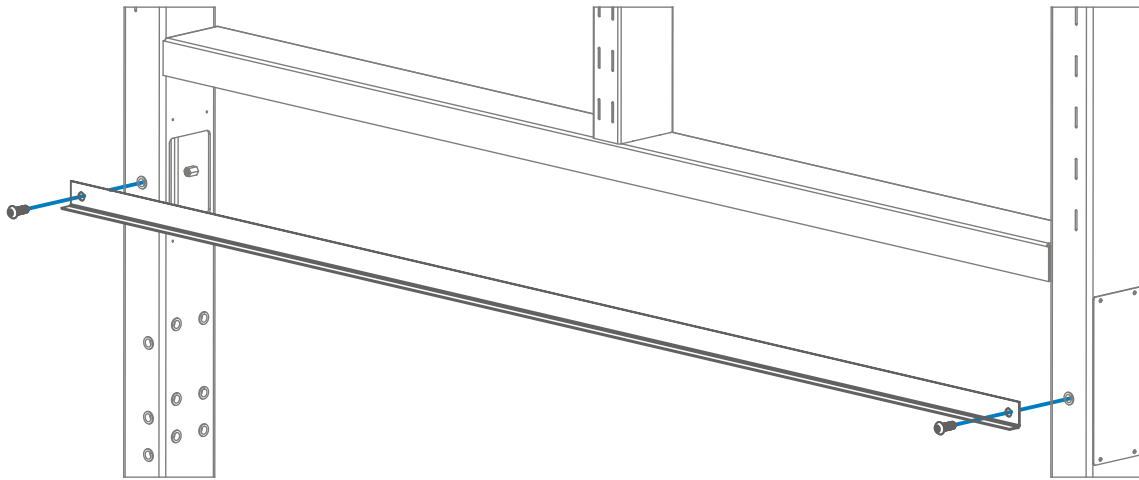
8.2. For double-sided units, repeat sections 6-7 above to add second top frame to rear side of legs.

9. Powerstrip Rails

9.1. Attach powerstrip rail to front of rear legs using 2X 3/8-16 x 1.0 cap screws (21) and washers (21).

Note: Hand start threads on all screws to avoid cross-threading.

Tighten with 5/16" Allen wrench or driver.

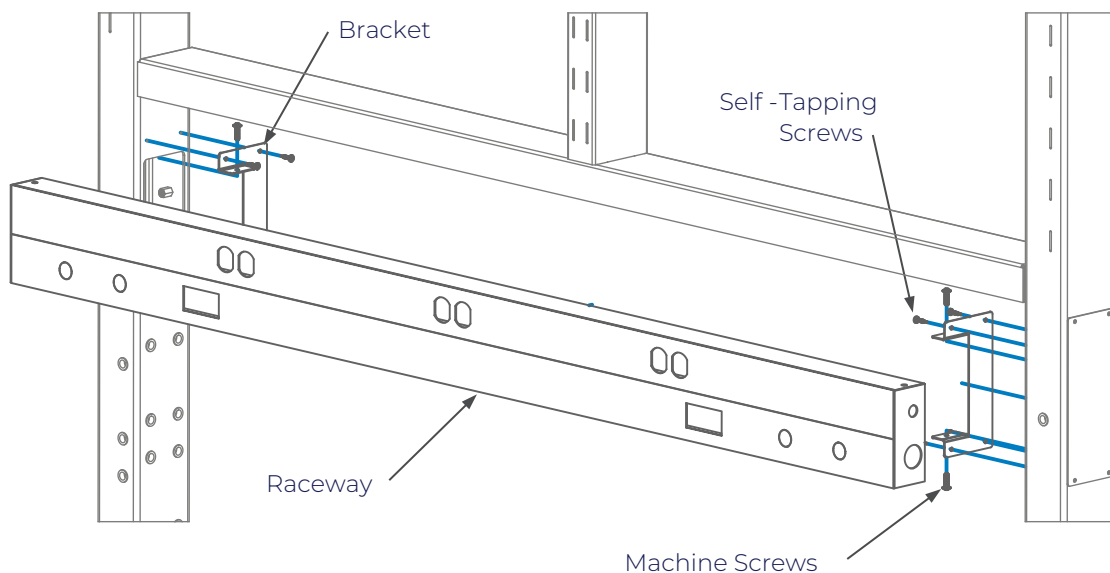


10. Raceways, Single-sided

10.1. Remove any cover plates at rear leg interior faces (if applicable).

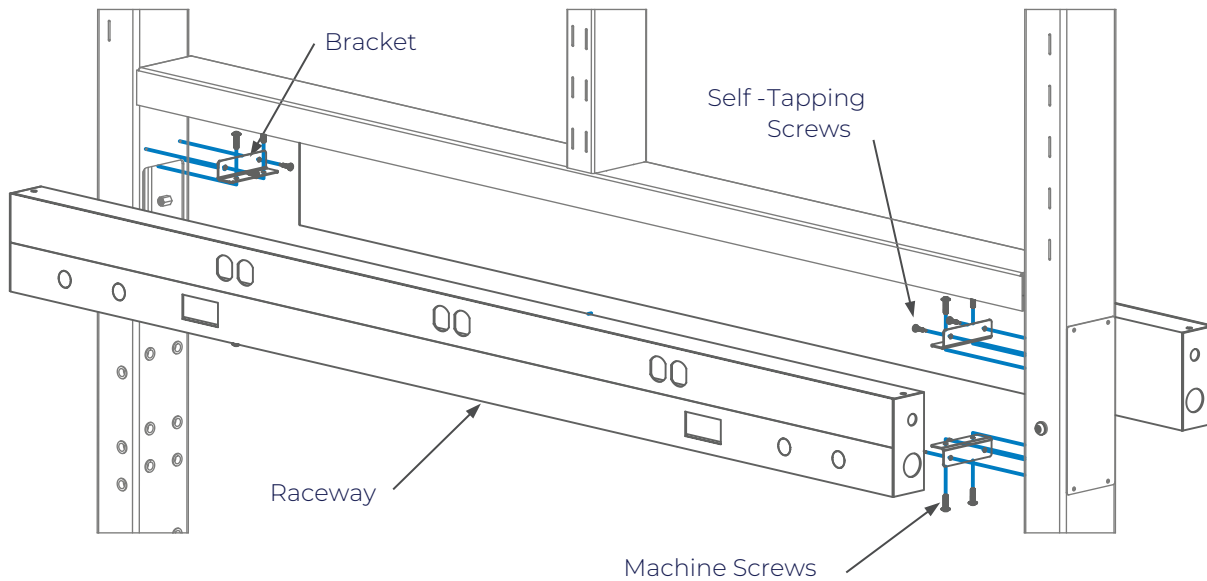
10.2. Attach 2X FLX Bracket, Single Raceway (Part# 1023397) to legs using 8X selftapping screws.

10.3. Slide the raceway body into brackets and attach using 4X 10-24 screws provided.



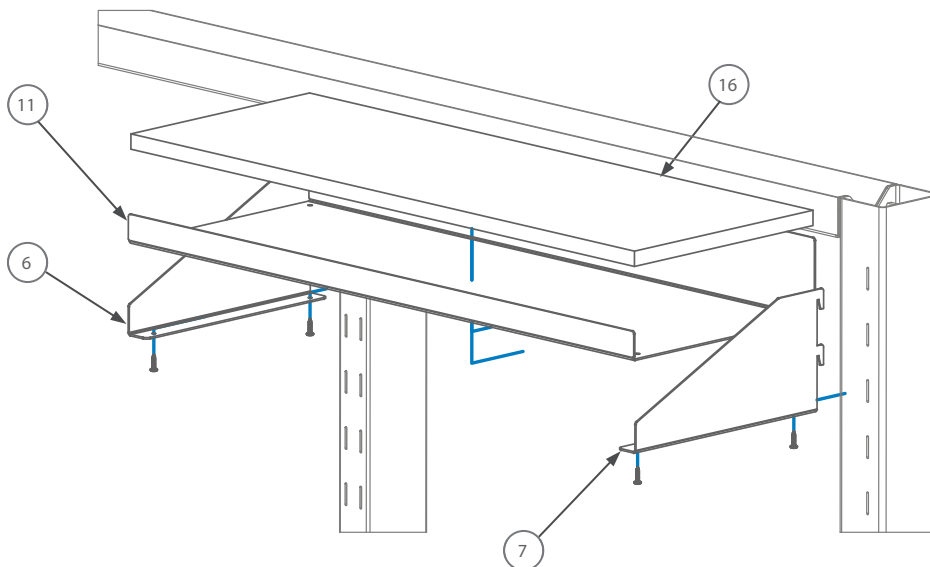
11. Raceways, Double-sided

- 11.1. Remove any cover plates at rear leg interior faces (if applicable).
- 11.2. Attach 4X FLX BRACKET, DOUBLE RACEWAY (Part# 1023398) to legs using 8X selftapping screws.
- 11.3. Slide the raceway body into brackets and attach using 8X 10-24 screws provided.



12. Shelf Supports

- 12.1. Install left and right brackets (6)-(9) into rear leg slots at desired heights.
- 12.2. Lay shelf trays (11)-(12) over flanges of shelf brackets. Trays will remain loose until fastening the surfaces in the following steps.



13. Shelf Surfaces

13.1. Place surface into shelf tray and align holes in tray with holes in brackets.

Fasten per surface material as follows.

13.2. LPL

13.2.1. No pre-drilling required.

13.2.2. Fasten with #8 x .75" wood screws through shelf arms, pan, and into surface.

13.3. PHENOLIC

13.3.1. Pre-drill using $\varnothing 9/64$ " drill bit to a minimum depth of $1/2$ ". Note: Use caution not to drill through top face of the surface.

13.3.2. Fasten with #8 x $5/8$ " screws through shelf arms, pan, and into surface.

14. Cabinets

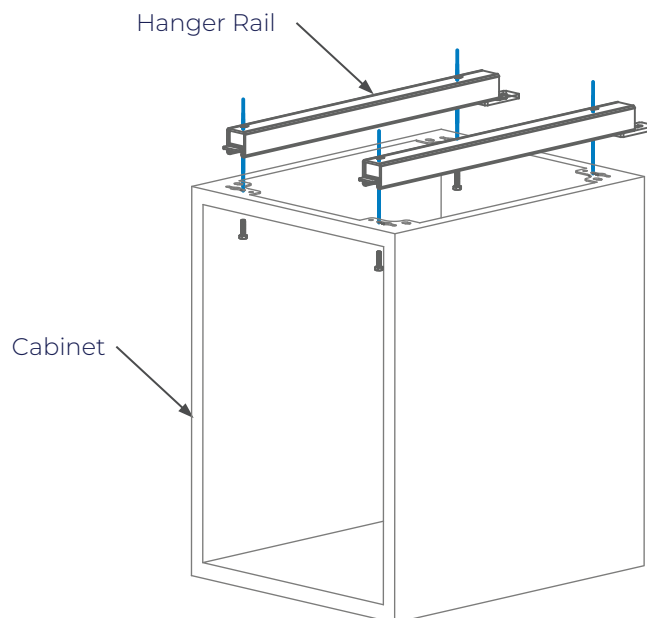
14.1. Preassemble Hanger Rails.

14.1.1. Use 2X FLX CAB Hanger Rail Kit (Part# 1072702) per cabinet. Each kit includes a welded hanger rail & $1/4$ -20 bolts and channel nuts.

14.1.2. Pre-load 2X channel nuts into each hanger rail.

14.1.3. Orient small tabs of hanger rails towards front of cabinet. Align rail channels with corner holes in the top panel of cabinet.

14.1.4. Fasten rails to cabinet using 4X $1/4$ -20 bolts and channel nuts.



14.2. Install Cabinet Into Frame.

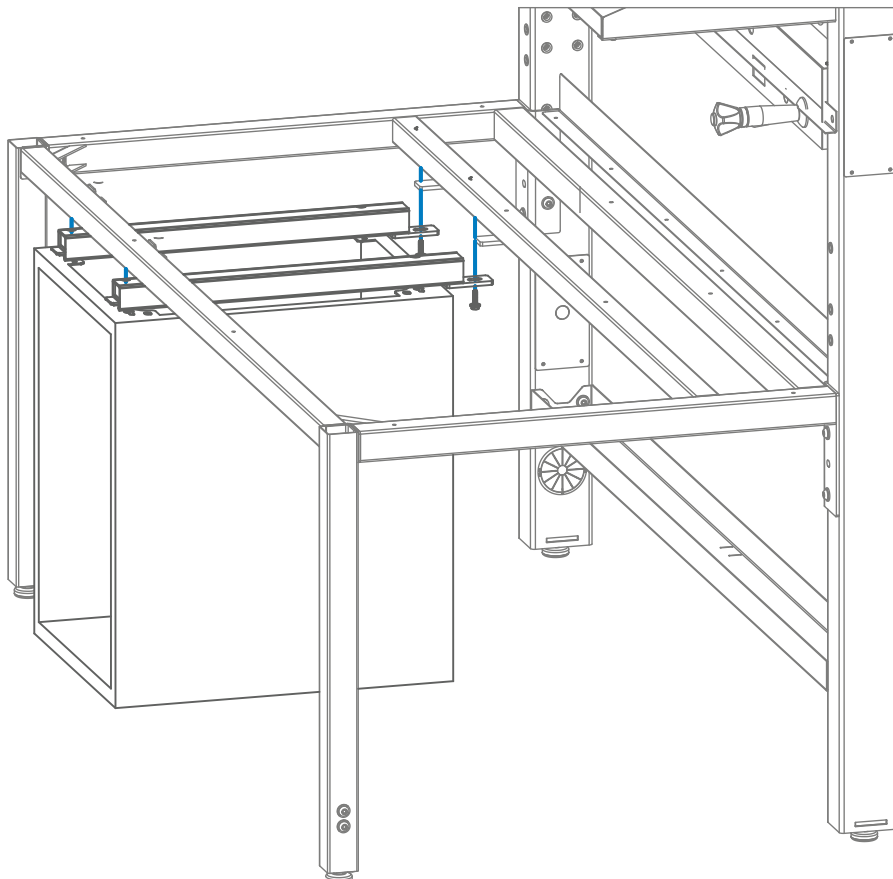
14.2.1. Pre-load 2X channel nuts into rear Unistrut spreader of top frame.

14.2.2. Lift cabinet into place, introducing front hanger rail tabs into the front spreader of the top frame. Swing rear of cabinet up and fasten rails to top frame using 2X 1/4-20 bolts and channel nuts.

14.2.3. Loosen bolts slightly in hanger rails to adjust cabinet position forward or backward.

14.2.4. Loosen bolts slightly in top frame to adjust lateral position of cabinet.

14.2.5. Tighten all bolts once the cabinet is in final position.



15. Worksurfaces

15.1. Place worksurface ⑰ onto top frame. If needed, apply shims or washers between surface and frame to correct minor misalignments between adjacent assemblies.

Adhere with silicone caulking or fasten per surface material as follows.

15.2. HPL

15.2.1. No pre-drilling required.

15.2.2. Fasten with #10 x 1 1/8" truss head wood screws through holes in top frame.

15.3. Phenolic

15.3.1. Pre-drill using \varnothing 9/64" drill bit to a minimum depth of 1/2".

Note: Use caution not to drill through the top face of the worksurface.

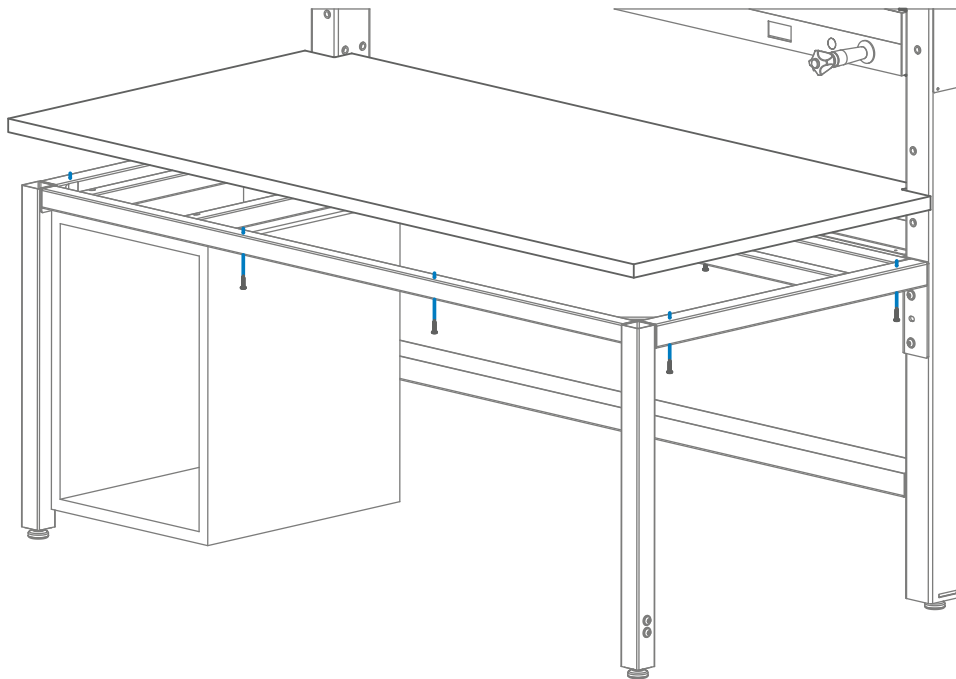
15.3.2. Fasten with #8 x 5/8" screws through existing holes in top frame.

15.4. Epoxy

15.4.1. Pre-drill using \varnothing 9/64" masonry drill bit to a minimum depth of 1/2".

Note: Use caution not to drill through the top face of the worksurface.

15.4.2. Fasten with #8 x 5/8" screws through existing holes in top frame.



16. Backsplash

16.1. Optional: Fasten backsplash panel ① to worksurface using same screws used to install worksurface.



 **FORMASPACE**

 800.251.1505

 hello@formaspace.com

 formaspace.com

